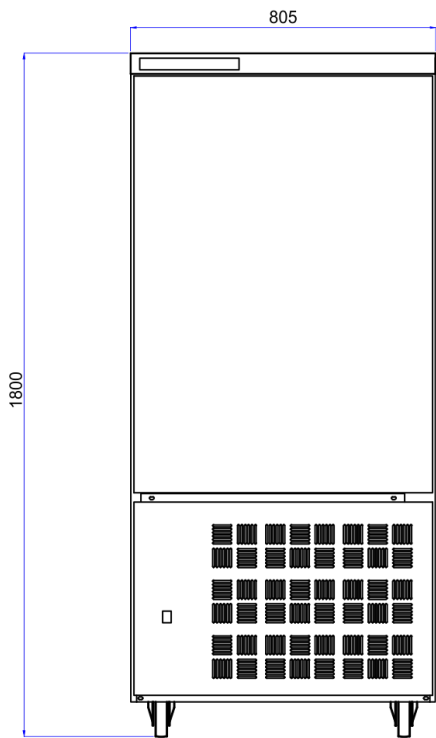
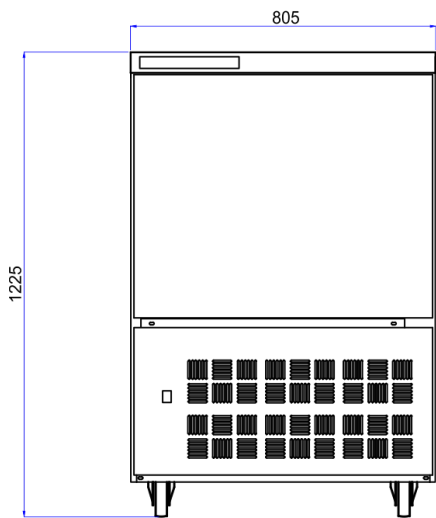
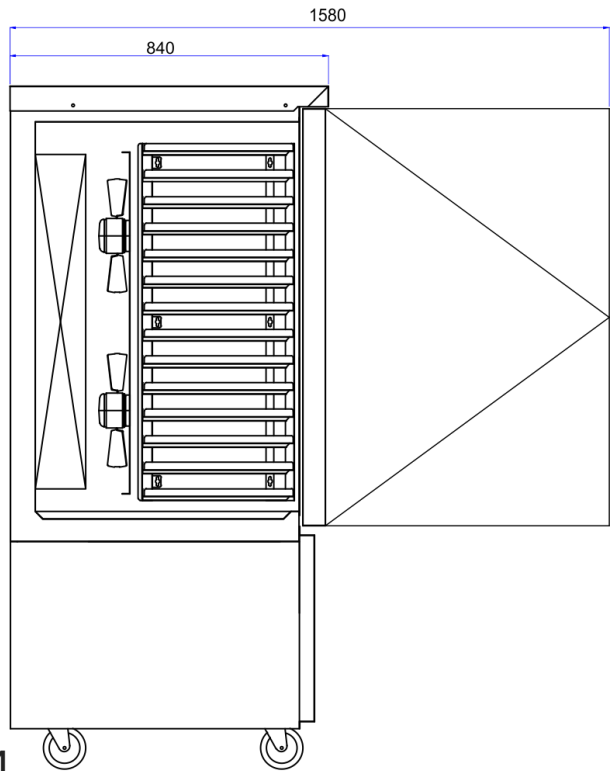


FRONTAL

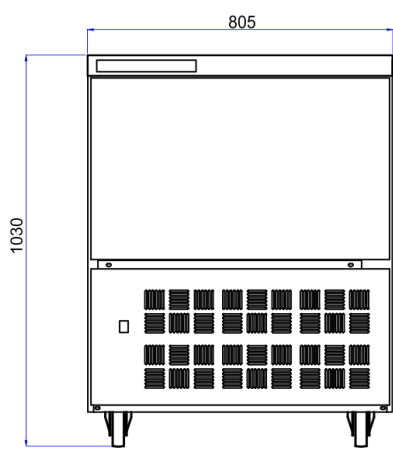
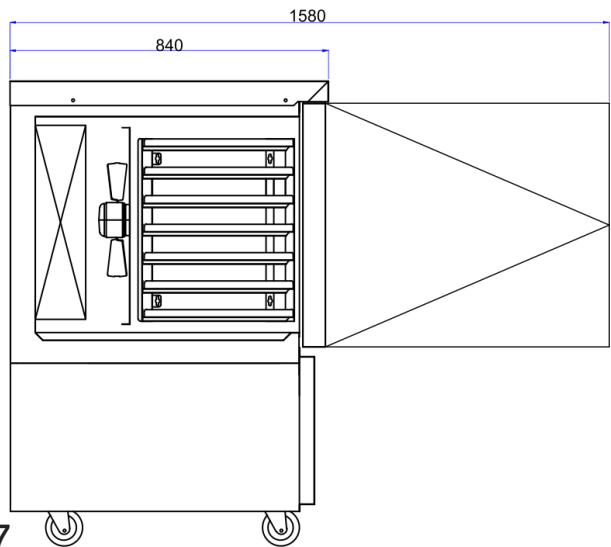


RCR 14

LATERAL



RCR 07



RCR 05

